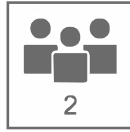





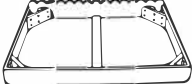

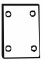








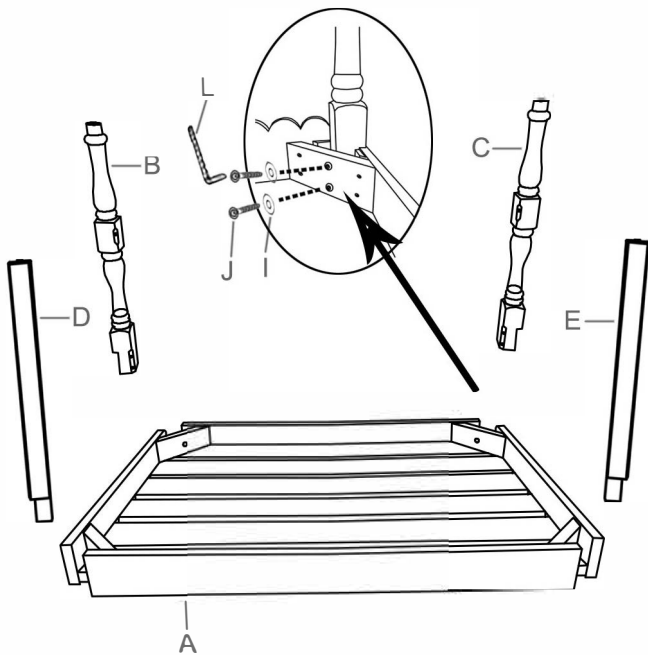
# LOBERON

COMING HOME

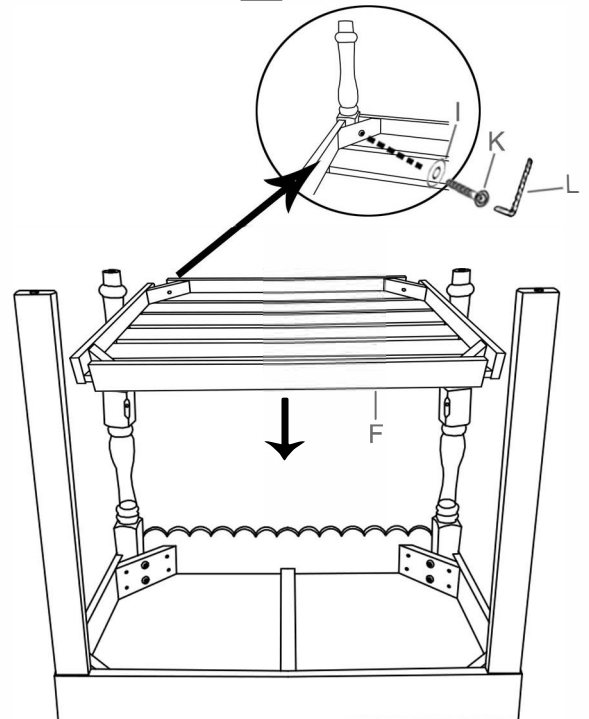


Ax1 	Bx1 	Cx1 	Dx1 	Ex1 	Fx1 	Gx1 
Hx2 	Ix12  φ6mm	Jx8  φ6x40mm	Kx4  φ6x45mm	Lx1  φ6mm	Mx8  φ2.5x20mm	Nx2  φ3.5x35mm

1



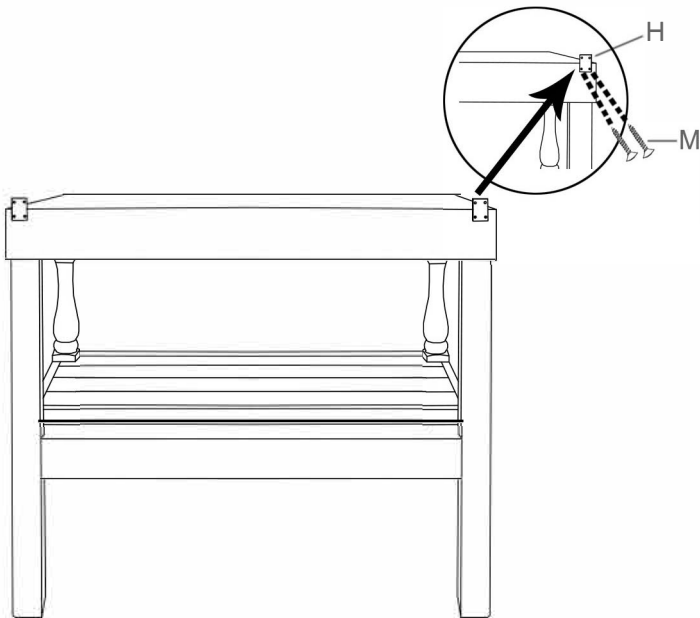
2



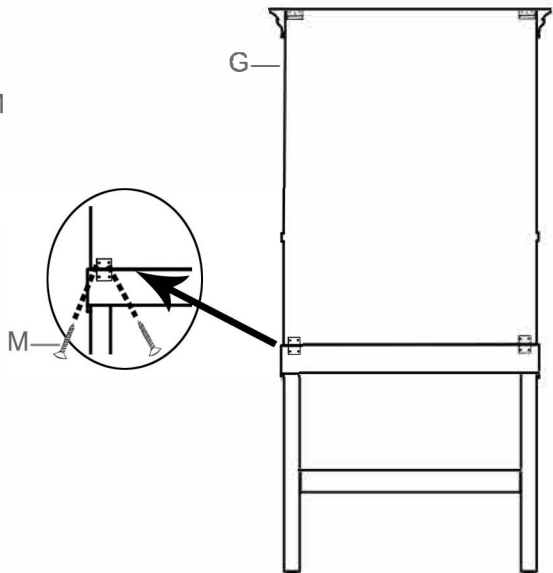
# LOBERON

COMING HOME

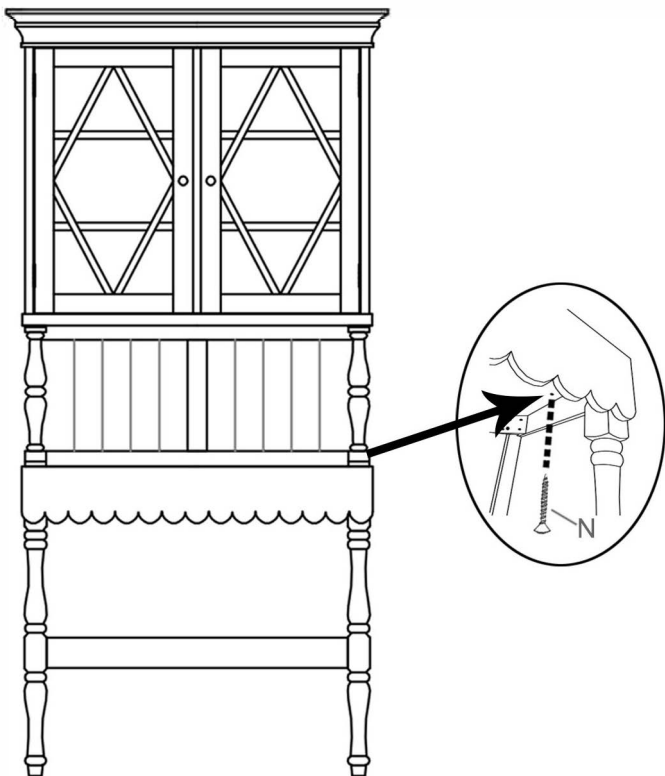
3



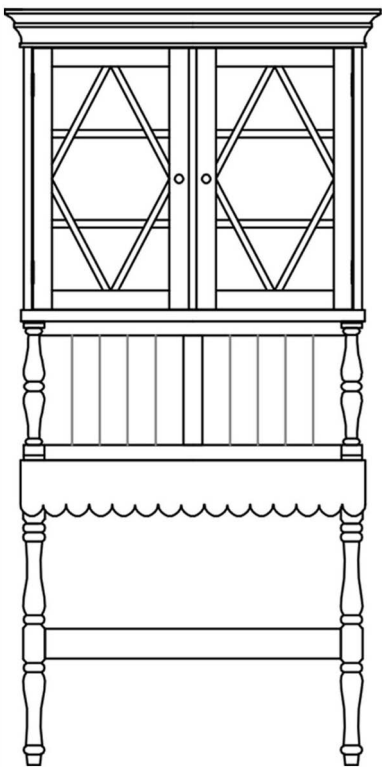
4



5

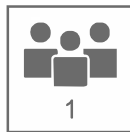


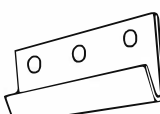


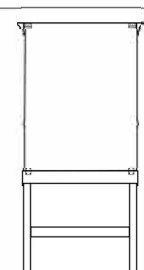
6



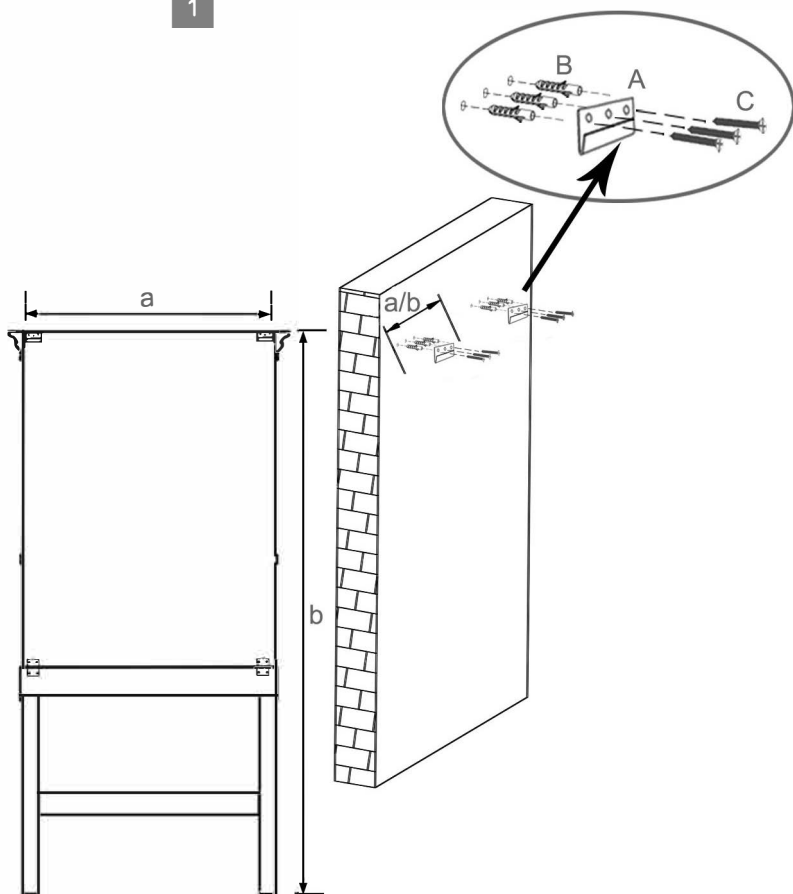
# LOBERON

COMING HOME



Ax2 	Bx6 	Cx6  φ3.5x40mm	Dx1 
--	--	--	--

1



2

