

# LOBERON

COMING HOME



15 min

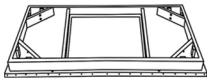


1

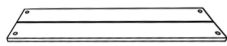
Ax2



Bx1



Cx1



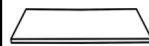
Dx1



Ex1



Fx1



Gx12



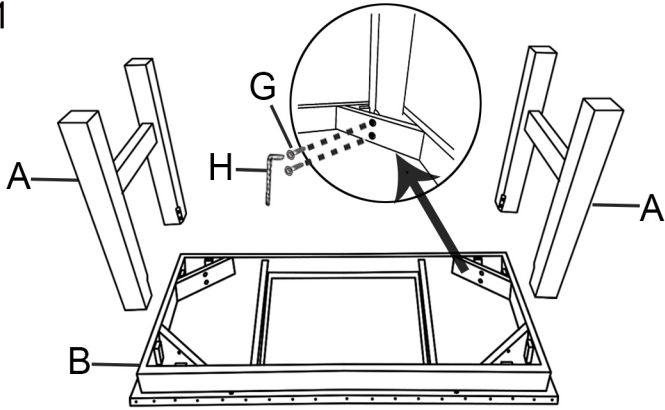
$\phi 6 \times 35$

Hx1

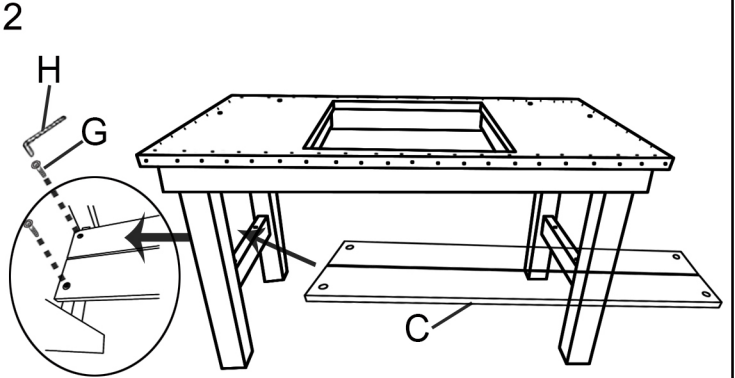


$\phi 6$

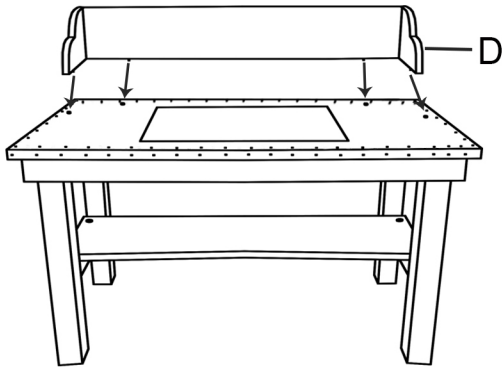
1



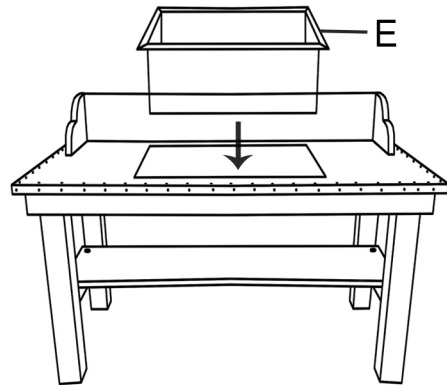
2



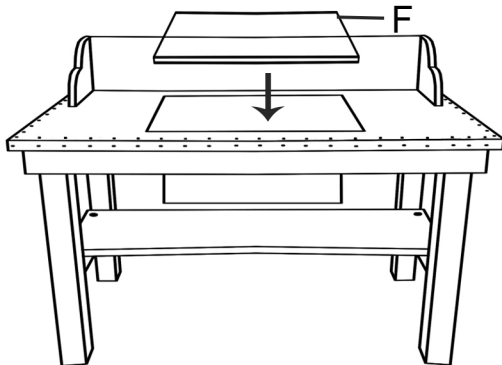
3



4



5



6

