

LOBERON

COMING HOME

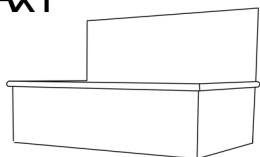


10 min



1

Ax1



Bx4



Cx16



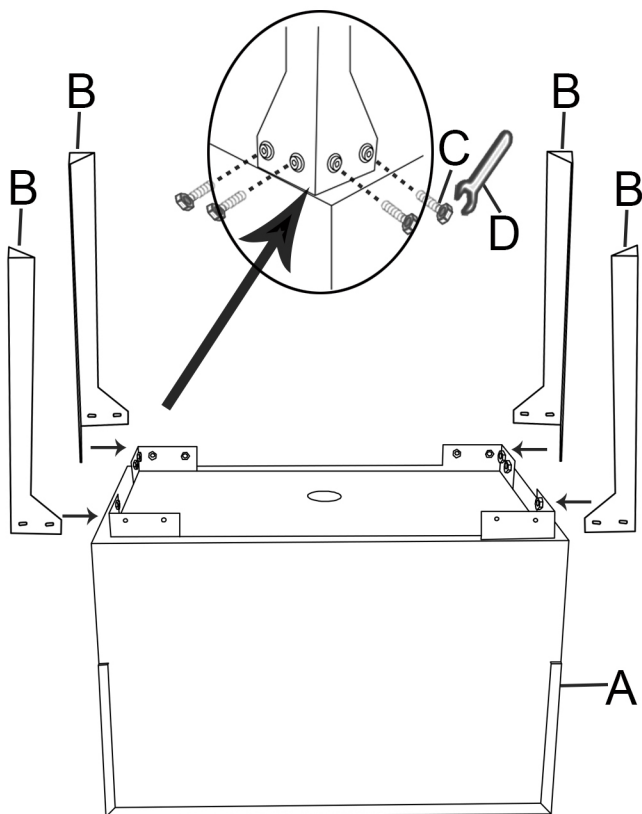
$\phi 8 \times 12$

Dx1



$\phi 8$

1



2

